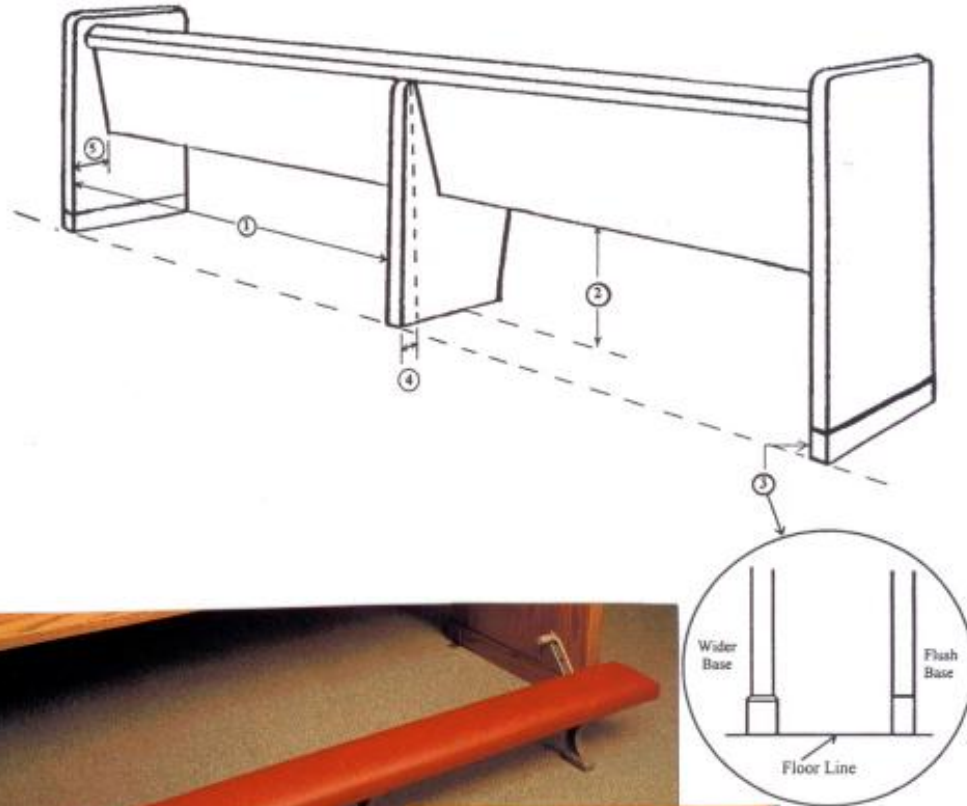


PEW KNEELER MEASUREMENT SHEET

Please provide the following information via e-mail, fax, or mail when requesting a quotation for Pew Kneelers, or call us to arrange a site visit by a local representative.

1. Provide quantity and opening size in inches: Quantity: _____ Size of Opening: _____
Note: If you have multiple kneeler sizes, please fill out attached sheet.
2. Provide the distance from floor to bottom of Pew at Back: Distance: _____
3. Is the Base of the Pew End flush inside or is it wider than the body?
Flush: ___ Yes ___ No If No, Wider by: _____ Height of Base: _____
4. Are the Supports set in further than the Pew Ends? Not set in _____ Set in by _____
5. Provide distance from edge of Pew End to point of intersection of the Pew Seat and Back: Distance _____
6. Please send photographs of the Pew Supports and Ends, if possible, to confirm the above information.



PEW KNEELER MEASUREMENT SHEET

Church Name: _____ City: _____ State: _____

Contact: _____ Phone: _____ Email: _____

Please provide the following information via e-mail, fax, or mail when requesting a quotation for Pew Kneelers, or call us to arrange a site visit by a local representative.

Please fill out the chart below if your Church has more than one size kneeler:

Quantity:		Opening:		Quantity:		Opening:	
Quantity:		Opening:		Quantity:		Opening:	
Quantity:		Opening:		Quantity:		Opening:	
Quantity:		Opening:		Quantity:		Opening:	
Quantity:		Opening:		Quantity:		Opening:	
Quantity:		Opening:		Quantity:		Opening:	
Quantity:		Opening:		Quantity:		Opening:	
Quantity:		Opening:		Quantity:		Opening:	
Quantity:		Opening:		Quantity:		Opening:	
Quantity:		Opening:		Quantity:		Opening:	
Quantity:		Opening:		Quantity:		Opening:	
Quantity:		Opening:		Quantity:		Opening:	
Quantity:		Opening:		Quantity:		Opening:	
Quantity:		Opening:		Quantity:		Opening:	
Quantity:		Opening:		Quantity:		Opening:	
Quantity:		Opening:		Quantity:		Opening:	
Quantity:		Opening:		Quantity:		Opening:	
Quantity:		Opening:		Quantity:		Opening:	
Quantity:		Opening:		Quantity:		Opening:	

Notes: